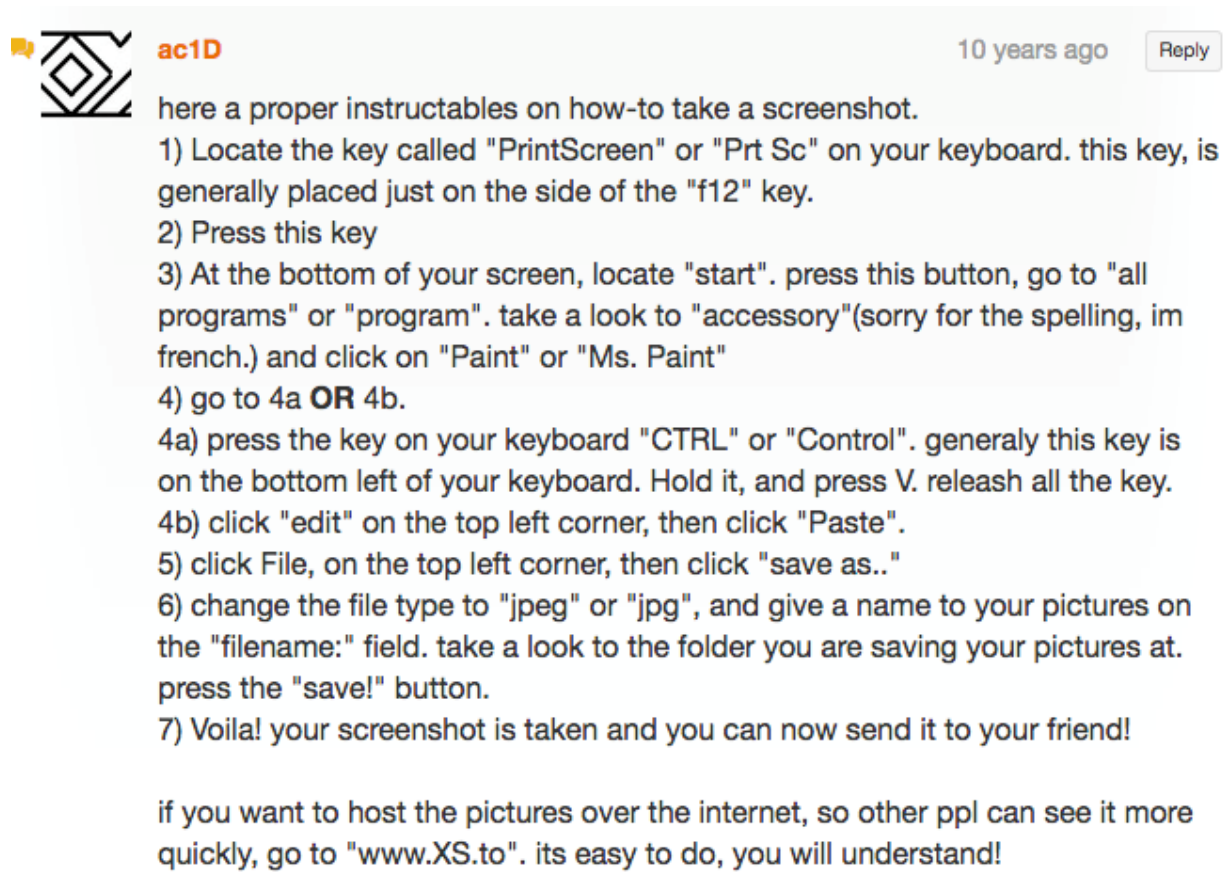



NOTE: You should try to follow the instructions you choose to revise (multiple times). In this way, you will experience the sorts of problems the instructions contain and think of ideas for improving these instructions.

Poorly Designed Instructions for Taking a Screen Shot



 **ac1D** 10 years ago Reply

here a proper instructables on how-to take a screenshot.

- 1) Locate the key called "PrintScreen" or "Prt Sc" on your keyboard. this key, is generally placed just on the side of the "f12" key.
- 2) Press this key
- 3) At the bottom of your screen, locate "start". press this button, go to "all programs" or "program". take a look to "accessory"(sorry for the spelling, im french.) and click on "Paint" or "Ms. Paint"
- 4) go to 4a **OR** 4b.
- 4a) press the key on your keyboard "CTRL" or "Control". generally this key is on the bottom left of your keyboard. Hold it, and press V. release all the key.
- 4b) click "edit" on the top left corner, then click "Paste".
- 5) click File, on the top left corner, then click "save as.."
- 6) change the file type to "jpeg" or "jpg", and give a name to your pictures on the "filename:" field. take a look to the folder you are saving your pictures at. press the "save!" button.
- 7) Voila! your screenshot is taken and you can now send it to your friend!

if you want to host the pictures over the internet, so other ppl can see it more quickly, go to "www.XS.to". its easy to do, you will understand!

Note: These instructions respond to an even worse set of instructions for taking a screen shot at

<http://www.instructables.com/id/how-to-take-screen-shots/?ALLSTEPS>

In revising these instructions, you can improve on the process for how you transfer the captured image (or where you place it). Notice, also that these instructions are for a PC, not a Mac. What operating system these instructions are for is an important bit of information to specify.

How to Change Engine Oil

When you change engine oil, always check the owner's manual to find the correct type and amount of oil needed and the correct oil filter.

1. **Start the vehicle and allow the engine to warm for a minute or two.** Doing so allows the existing oil in the engine to warm up so that it drains out smoothly.
2. **Shut off the Engine and open the hood.**

⚠ CAUTION Used motor oil draining from the engine may be hot and could burn you. If your engine had been running for an extended time, it is best to let the engine oil cool before draining.

3. **Locate the oil pan drain plug.** See the owner's manual for its location. Place a used-oil pan directly beneath the drain plug. You might even use a large piece of cardboard on the ground beneath the pan to prevent any spills from soaking into the ground/pavement.
4. **Remove the oil pan drain plug and allow the used oil to drain.** Removing the cap for the oil intake will allow for better flow.

Notice: This set of instructions may leave off some important steps or safety information.

Wire Instruction Sheet

Incoming Wires

Incoming wires (deposits to a Payne County Bank account) must be initiated at the Financial Institution sending the wire. A fee is assessed for an incoming wire; please refer to the current Schedule of Services and Fees.

Send funds to:

The Bankers Bank ABA #103003616

Account Number: **10521**

Beneficiary: Payne County Bank

For further credit to:

PCB customer name and their PCB account number

Outgoing Wires

Outgoing wires (from a Payne County Bank account) can be processed in person or via fax/mail. A fee will be assessed for an outgoing wire; see Payne County Bank's current Schedule of Services and Fees.

Fax / Mail Request

- The Authorization for Wire Transfer form must be completed and signed by an authorized signer on the affected Payne County Bank account.
- Fax to 405-547-5389 or mail to: Payne County Bank, PO Box 579, Perkins, OK 74059.
- The wire authorization will be verified by a phone call to the number on record for the affected bank account. The wire will not be processed until we are able to verify your identity by phone. Additional verification procedures may be required.

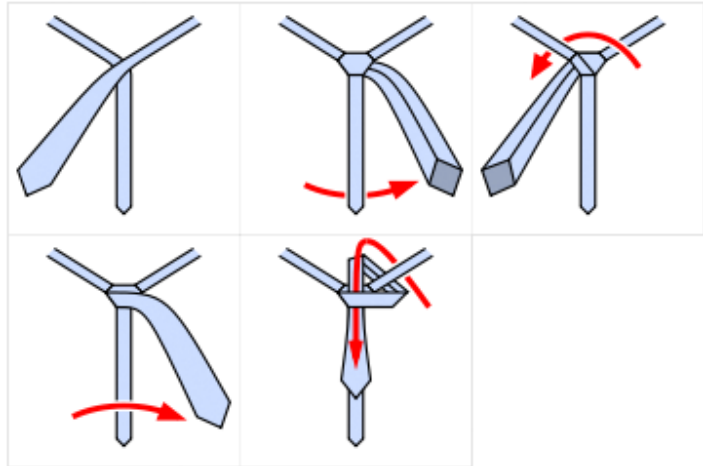
In-Person Request

- Authorization for Wire Transfer may be completed prior to visiting Payne County Bank, but do not sign request form until requested by a customer service representative.
- Authorized signer must bring government issued identification; such as an unexpired Driver's




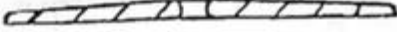


This set of instructions refers to ways to send money. This is before the days of online banking...

Instructions for How to Tie a Tie

Start with the wide end of the tie on your right and extending a foot before the narrow end, Cross wide end over narrow and turn back underneath, Bring it up and turn it down through the loop, Pass the wide in from the front, from the left and to the right, Then, end up through the loop, and put it down through the knot in the front.



Assembly instruction for aerator/fan knob

Knob of the cover		5. ↓	1. Lead screw through the opening/aperture of the pane which has to be put under.
Steam-lock		3. ↓	2. Lead screw with the pane on the inner surface of the glass-pane through the aperture and hold tight.
Ring to protect fingers		4. ↓	3. Insert steam-lock in the ring which protects the fingers as shown in the figure. Wings and pin must form a line. Only in this position the steam-lock is 'sits' in the right way.
Cover			
Pane which has to be put under		2. ↑	4. Put ring which protects the finger with inserted steam-lock on the top side of the glass pane. The screw must be visible!
Screw		1. ↑	5. Put knob of the cover on the ring, which protects the fingers, and tighten the bold with a clockwise (to the right) with the screw.

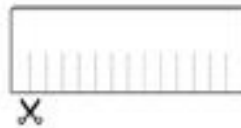
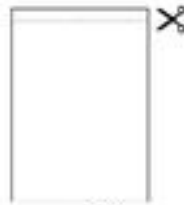
Caution: Assemble screw only fingerlight

Making a lantern

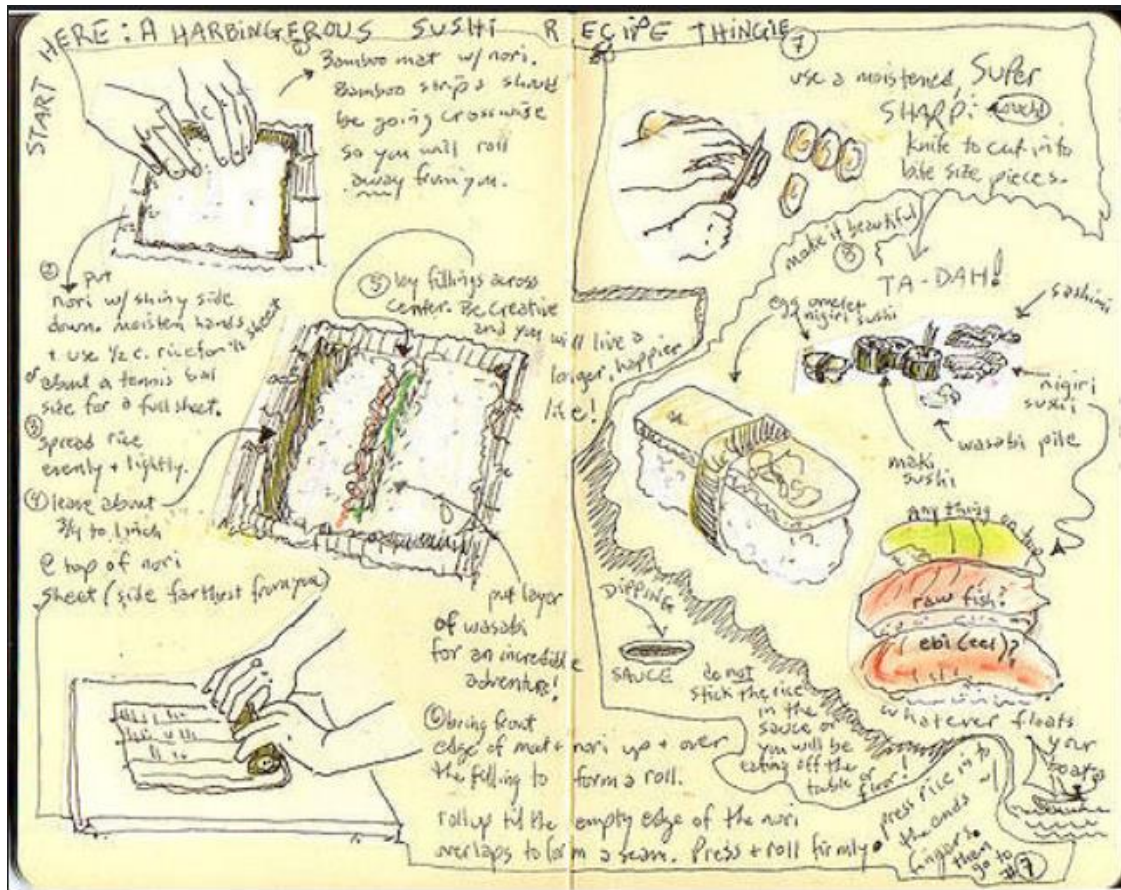
You will need:

Paper
Scissors
Cello tape
Ruler
Pencil

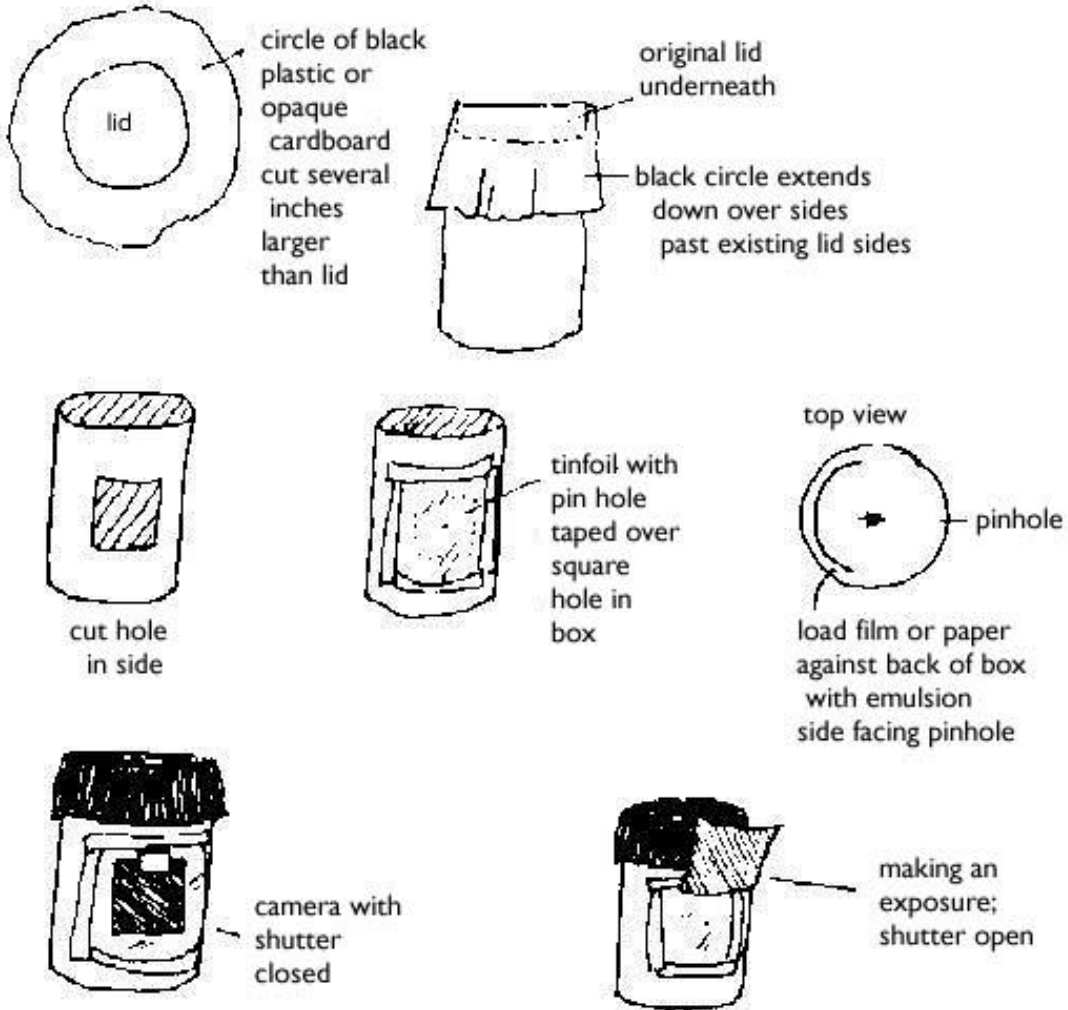
1. Lay the paper portrait and measure 1cm along the top.
2. Carefully cut this strip away- this will make your handle for the lantern.
3. Fold your piece of paper in half so you have a long piece of paper to work with.
4. Using your ruler, measure straight lines leaving the edge of your page clear. These need to be 1cm apart.
5. Using your scissors carefully cut these lines making sure you do not cut off the edge of the page.
6. Now you need to fold your paper round at the short sides so they meet and secure it with a piece of cello tape at the top and bottom.
7. Attach your strip of paper you cut earlier for a handle.



How to Make Sushi




Oatmeal Box Pinhole Camera



Safe Serial: _____

Safe Model: _____



WARNING: CHANGING THIS COMBINATION WILL INVALIDATE YOUR WARRANTY!


IMPORTANT: Turn dial slowly and evenly. Do not turn back to regain alignment if you rotate past number. If an error is made, re-dial entire combination. Do not count turns; instead count how many times the number is aligned with the opening index. Always view the dial and ring straight on, not at an angle.

1. Turn dial to the RIGHT (clockwise) 4 full revolutions, stopping on 0 to clear the combination.
2. Turn the dial to the LEFT (counter clockwise), aligning first number () with the opening index the fourth time it comes to the index.
3. Turn dial to the RIGHT (clockwise), aligning the second number () with the opening index the third time it comes to the index.
4. Turn the dial to the LEFT (counter clockwise), aligning the third number () with the opening index the second time it comes to the index.
5. Turn dial RIGHT (clockwise) until dial comes to a complete stop.
6. Once dial comes to a complete stop, turn safe handle to access.
7. To relock and secure the combination lock, turn the dial to the left at least four revolutions, then turn back right at least a full turn to insure that combination has been effectively cleared.

Your HSC Combination: _____

Opening Index

Changing Index



(This set of instructions has elements that are confusing.)

How to make an electric circuit to light a bulb

Introduction:

Many of the toys we play with today have lights. They usually need batteries so that they can light up or make a noise. Would you like to know how to make a simple circuit that could make a toy light up? Then read on.

What do we do?

First collect the equipment. Check that each item is not damaged so that you will not have problems making the circuit later.



Then screw the bulb securely into the holder but not too tight as it could break.



Afterwards connect the crocodile clips to the metal screws on the bulb holder. The reason for this is that they must be in contact with metal for the electricity to flow through it.



Metal connectors



crocodile clips



Now put the other end of the crocodile clips against the metal ends of the battery. This is because electricity will not flow through the plastic sides of the battery. The bulb should now light up!



Conclusion:

Now you know what to do, have a go at making a simple circuit to light up a bulb!









Top Tip! If the bulb does not light, check that:

- the connectors are touching the metal not plastic
- the bulb is screwed in tightly

How To Grow Garlic

How To Grow Garlic

<p>1</p> <p>The garlic bulb is made up of sections that are called cloves.</p>  <p>Before planting split the bulb into individual cloves.</p>	<p>2</p> <p>Dig a small hole 5cm deep in the soil.</p>  <p>Plant garlic in a sunny position, in well draining soil.</p> <p>Garlic can be planted in October or March.</p>	<p>3</p> <p>Plant each garlic clove in an upright position.</p>  <p>Make sure that the pointed end of the clove is at the top.</p> <p>Make sure that the flat rooting end of the clove is at the bottom.</p>
<p>4</p> <p>Plant the cloves in rows.</p> <p>Make sure that the cloves are planted 15 cm apart.</p> <p>Make sure there is 45cm between each row.</p> 	<p>5</p> <p>Water the plants in dry weather.</p>  <p>Hoe out the weeds as they grow in the rows.</p>	<p>6</p> <p>Lift the garlic plants when the leaves turn yellow brown in July - August.</p>  <p>Dry garlic plant in an airy spot under cover.</p> <p>Store garlic plant in a cool, frost free place.</p>

This growing card was created by www.farmingfriends.com and www.topveg.com.

Note: IF you gather any information from online research, you must reference where it came from.